

CASINO FLOAT LIDS

Lock Your Chip Trays WITHOUT a Key

Patented Push Shut High Security Cam Lock

Locks fit existing Lids without any modifications
Available in High Security BiLock or 8 Change Camlock cylinders



*Lock your chip trays without a key
Shut the table down when you want
Push the lid closed and it latches secure
Patents issued and pending
No table or tray modifications required*

Quick Change Core

Rekey your locks in seconds

Unique codes for each Casino
Highest Security available
Bump & Pick Proof
Quick Change Core Configuration
Patent protected in USA and Canada
Over 16 Million codes per keyway
Unique Double Row of Pins
Strong Nickel Silver Key



Made in the USA for quality assurance

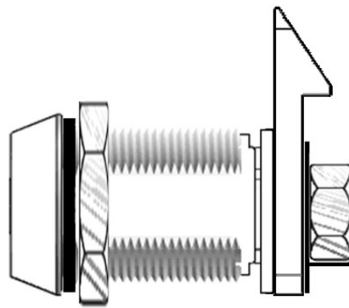
Camlock Systems Inc
109-B Industrial Drive
Southington, CT 06489
Tel 860-378-0302, www.Camlock.com



Casino Float Lid

This innovative technology is available complete with a high security lock specifically designed for this feature.

3389FL - QC BiLock Cam Lock
4301MKFL – Camatic Octagon Cam Lock



Kit Includes:

- | | |
|--------------------|------------------------|
| 1. Cam Head Collar | 4. Cam Slide Washer |
| 2. 3 Tab Washer | 5. Cam Spring |
| 3. Narrow Cam Nut | 6. Sliding Cam |
| | 7. Patent Label/Shield |

The sliding cam is an engineered composite that was specifically designed for strength, durability and ease of operation.

Patents Issued and Pending

Made in the USA for quality assurance

Camlock Systems Inc
109-B Industrial Drive
Southington, CT 06489 US
Tel 860-378-0302,
www.Camlock.com

